

ANTARES

ANTARES ROUND



ANTARES SQUARE



Always consult www.augentilighting.it for
UPDATED TECHNICAL DATA



ANTARES ROUND

ANTARES SQUARE



APPLICATION



Round and square-shaped wall luminaire, characterized by an asymmetrical emission that makes it ideal for lighting walkways, pedestrian paths and all those applications where an adequate level of visibility on the horizontal plane is primarily required. Dali dimmable on request with extra charge.

CHARACTERISTICS

- Independent optical compartment not accessible during installation, with wall fixing plate.
- LED maintenance by opening the optical compartment - Augenti proprietary module not compatible with Zhaga.
- Driver maintenance by opening the optical compartment.
- Body / plate coupling system obtained by means of interlocking and locking screws.
- Luminaire supplied with power cable type H05RN-F 3x1mmq Length 300mm
- Connection to the power supply through crimp connectors and insulation with heat shrinkable sheaths (standard equipment)
- Available with separate built-in driver, with the possibility of Dali dimming
- Appliance Complies with EN60598-1 Standard and special requirements

MATERIALS

- Extra-clear Float glass s = 4mm with silk-screen printing
- Die-cast aluminum body
- Heatsink integrated into the die-cast aluminum fixture
- EPDM rubber gaskets Tmax 120 ° C resistant to UV rays
- Flush-mounting box in AISI430F stainless steel
- Brackets (internal / external) in AISI430F stainless steel
- A2 stainless steel screws
- Corrosion and salt spray resistant polyester powder coating (ISO7523)

WALL

ANTARES

SPECIFICATIONS

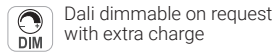


- The rated flux values refer to source LED at $T_{s85^{\circ}C} / t_{a25^{\circ}C}$
- The Power/Flux in the table refer to maximum installable value
- Lower powers are available on request, only for version with built-in driver
- Dimmable system available on request only with built-in driver



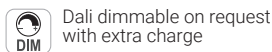
LED SYSTEM WITH BUILT-IN DRIVER

COD.	Source Flux	Fixture Flux	CCT	CRI	Power	CL
8420W/WR35VT	1800 lm	630 lm	3000	80	13W - 220-240Vac 50/60Hz	I
8420W/NR35VT	1890 lm	665 lm	4000	80	13W - 220-240Vac 50/60Hz	I



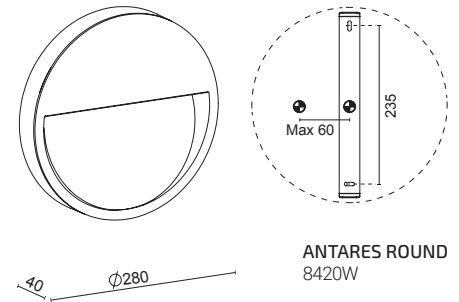
LED SYSTEM WITH BUILT-IN DRIVER

COD.	Source Flux	Fixture Flux	CCT	CRI	Power	CL
8430W/WR35VT	1800 lm	630 lm	3000	80	13W - 220-240Vac 50/60Hz	I
8430W/NR35VT	1890 lm	665 lm	4000	80	13W - 220-240Vac 50/60Hz	I

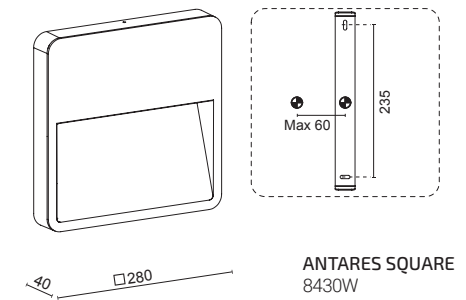


DIMENSIONS

ASSEMBLY

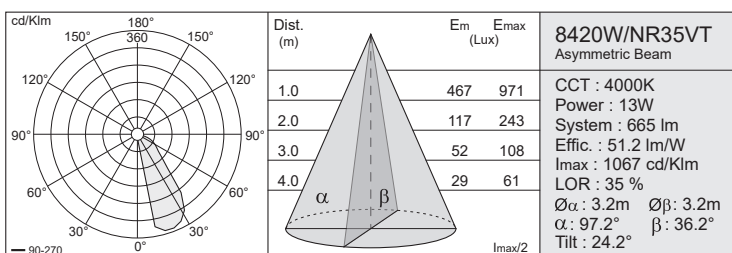


ANTARES ROUND
8420W



ANTARES SQUARE
8430W

PHOTOMETRICS DATA



STANDARD COLOURS

