

GEO 180



GEO 280



GEO 280



GEO

GEO 380



Always consult www.augentilighting.it for
UPDATED TECHNICAL DATA



WALL
GEO



APPLICATION



EMERGENCY →
lighting

Surface-mounted luminaires suitable for wall and ceiling installation, available in three sizes with diffusing screen and with upward light shielding element. The curved diffuser follows the line of the aluminum body, thus giving a visual compactness to the luminaire, and a very limited protrusion with respect to the installation plane. The structure is entirely in die-cast aluminum and houses LED sources with built-in driver. Versions available with Emergency Kit or Dali dimmable on request with extra charge.

WALL

GEO 180

SPECIFICATIONS

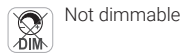


- The rated flux values refer to source LED at Ts75°C / ta25°C
- The Power/Flux in the table refer to maximum installable value

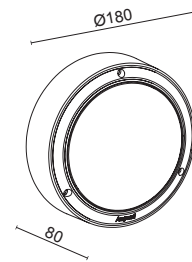


LED DIRECT AC SYSTEM

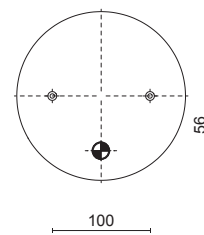
COD.	Source Flux	Fixture Flux	CCT	CRI	Power	CL
8220C/WR1.PO	680 lm	307 lm	3000 K	80	9W - 220-240Vac 50/60Hz	I
8220C/NR1.PO	800 lm	361 lm	4000 K	80	9W - 220-240Vac 50/60Hz	I



DIMENSIONS



ASSEMBLY



CHARACTERISTICS

- Optical system housing accessible during installation, with LED on wall-mounted anchor plate.
- LED/Driver maintenance achievable with direct access to the optical compartment.
- Version available with mains voltage LED DIRECT AC system or with separate, built-in driver, with the possibility of Dali dimming and 3h SA emergency kit
- Luminaire Conforms to EN60598-1 Standard and special requirements

MATERIALS

- Body in Die-Cast Aluminium Alloy
- Diffuser in Opal Polycarbonate (GWT850 - LTF> 45%) or Satin (GWT960 - LTF> 60%)
- Seals in EDPM closed cell rubber, UV- resist. Tx -40/+150°C.
- Passive heatsink in aluminum alloy for extrusion.
- Internal and external screws in A2 Stainless Steel
- Polyester powder coating, UV-stabilised with anti-corrosion treatment.

STANDARD COLOURS



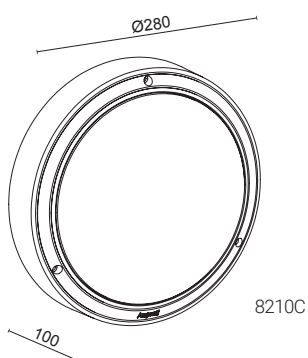
GEO 280

SPECIFICATIONS

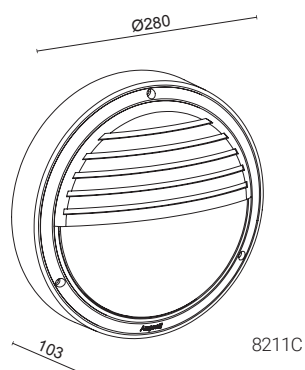


- The rated flux values refer to source LED at Ts75°C / ta25°C
- The Power/Flux in the table refer to maximum installable value
- Lower powers are available on request, only for version with built-in driver
- Dimmable system available on request only with built-in driver

DIMENSIONS



8210C



8211C

STANDARD COLOURS



LED SYSTEM WITH BUILT-IN DRIVER

COD.	Source Flux	Fixture Flux	CCT	CRI	Power	CL
8210C/WC3.PO	2040 lm	1535 lm	3000 K	80	19W - 220-240Vac 50/60Hz	I
8210C/NC3.PO	2140 lm	1600 lm	4000 K	80	19W - 220-240Vac 50/60Hz	I

Beam
>110°Diffuse Emission
Opal Polycarbonate
GW850°CDali dimmable on request
with extra charge

LED SYSTEM WITH BUILT-IN DRIVER

COD.	Source Flux	Fixture Flux	CCT	CRI	Power	CL
8211C/WC3.PO	2040 lm	970 lm	3000 K	80	19W - 220-240Vac 50/60Hz	I
8211C/NC3.PO	2140 lm	1010 lm	4000 K	80	19W - 220-240Vac 50/60Hz	I

Beam
>110°Diffuse Emission
Opal Polycarbonate
GW850°CDali dimmable on request
with extra charge

WALL

GEO 380

SPECIFICATIONS



Installation:
Wall/Ceiling

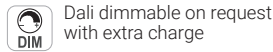
Art. 8200C:
Built-in 3hrs **Emergency Kit available on request**, reduced power version

- The rated flux values refer to source LED at Ts65°C / ta25°C
- The Power/Flux in the table refer to maximum installable value
- Lower powers are available on request, only for version with built-in driver
- Dimmable system available on request only with built-in driver

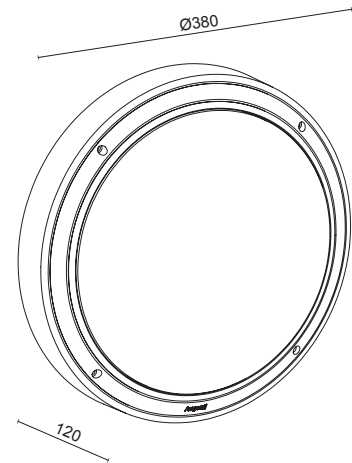


LED SYSTEM WITH BUILT-IN DRIVER

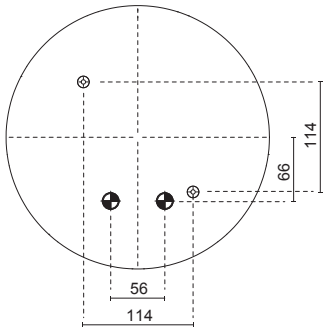
COD.	Source Flux	Fixture Flux	CCT	CRI	Power	CL
8200C/WR4.PO	3830 lm	1690 lm	3000 K	80	29W - 220-240Vac 50/60Hz	I
8200C/NR4.PO	4010 lm	1771 lm	4000 K	80	29W - 220-240Vac 50/60Hz	I



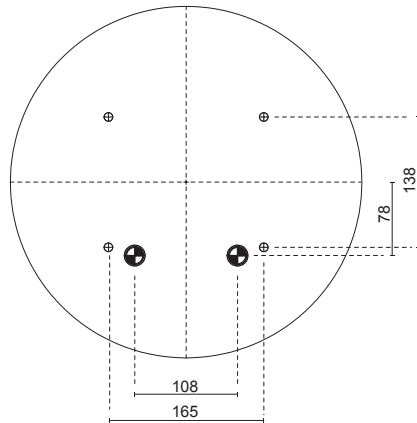
DIMENSIONS



ASSEMBLY

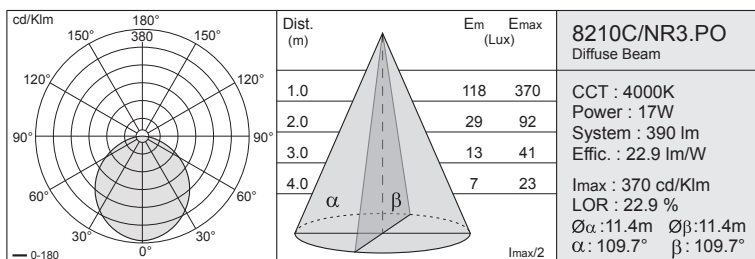


GEO 280
8210C - 8211C



GEO 380
8200C

PHOTOMETRICS DATA



STANDARD COLOURS

