

ORION-D



APPLICATION



 NEW DIGITAL
ORION-D BROCHURE



Column luminaire, for floor installation, with light source placed on the upper part of the luminaire for ground lighting. This ensures optimal light distribution on the ground and better control of glare effects.

Floor fixing bracket with A2 steel brackets. Power supply with built-in driver with fixed or dimmable

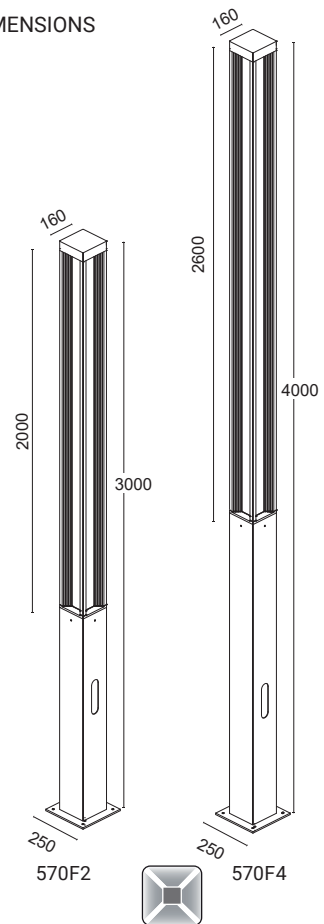
ORION-D

SPECIFICATIONS

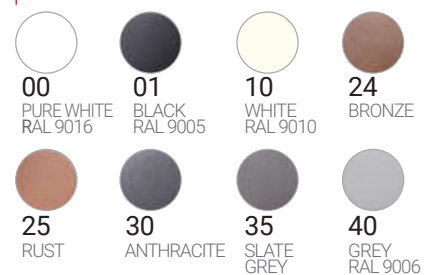


- The rated flux values refer to source LED at Ts85°C / ta25°C
- The Power/Flux in the table refer to maximum installable value
- Lower powers are available on request, only for version with built-in driver
- Dimmable system available on request only with built-in driver
- Pole equipped with inspection door for connection components (570F)
- Fixing kit with plug supplied
- **Ground connection system with anchoring brackets to be ordered separately (KIT.002)**

DIMENSIONS

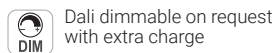
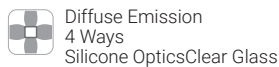


STANDARD COLOURS



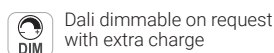
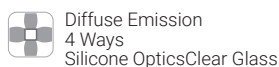
LED SYSTEM WITH BUILT-IN DRIVER - 4 Ways

COD.	Source Flux	Fixture Flux	CCT	CRI	Power	CL	LED
570F2/WC50EW	4720 lm	2800 lm	3000 K	80	35W - 220-240Vac 50/60Hz	I	4 WAYS
570F2/NC50EW	5000 lm	2980 lm	4000 K	80	35W - 220-240Vac 50/60Hz	I	4 WAYS

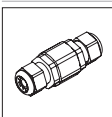


LED SYSTEM WITH BUILT-IN DRIVER - 4 Ways

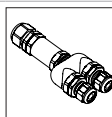
COD.	Source Flux	Fixture Flux	CCT	CRI	Power	CL	LED
570F4/WC50EW	4720 lm	2800 lm	3000 K	80	35W - 220-240Vac 50/60Hz	I	4 WAYS
570F4/NC50EW	5000 lm	2980 lm	4000 K	80	35W - 220-240Vac 50/60Hz	I	4 WAYS



ACCESSORIES



MOR683P/2V
IP68 2ways/3poles connector.
Maximum section 3x2.5mm



MOR68Y3P/3V
IP68 3ways/3poles connector Y.
Maximum section 3x2.5mm

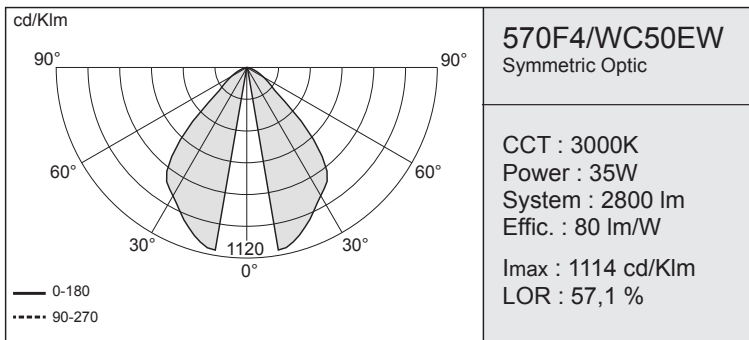
URBAN LIGHTINGS

ORION-D



ORION-D

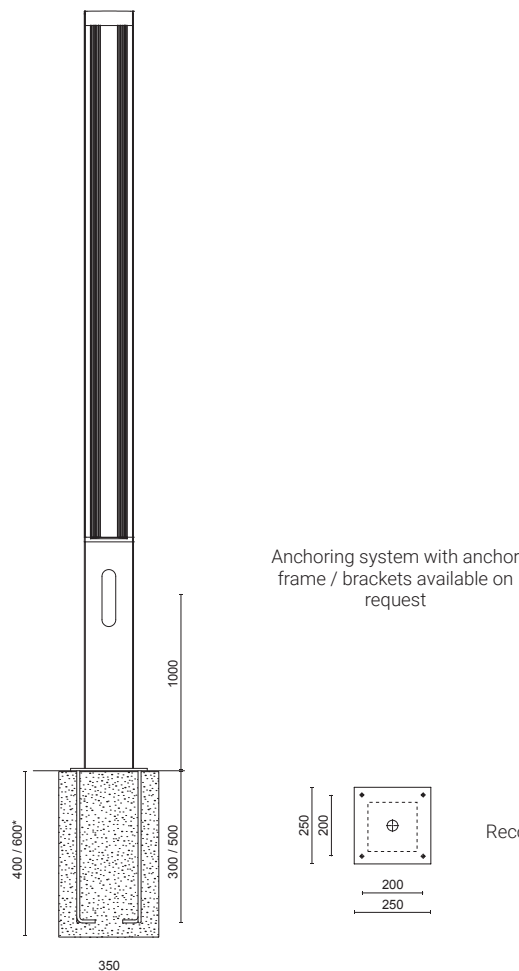
PHOTOMETRICS DATA



CHARACTERISTICS

- Downlight for ground lighting
- Independent optical unit not accessible during installation
- LED maintenance / replacement possible through the opening of the optical compartment on the pole head
- Driver maintenance / replacement by opening the independent compartment on the pole base
- Anchoring system with anchor frame / brackets available on request
- Appliance compliant with Standard EN 60598-1 and particular prescriptions

ASSEMBLY



MATERIALS

- Head / Base in die-cast Aluminum Alloy
- Aluminum columns for extrusion
- Extra clear silk-screened glass th = 4mm with LT transmission > 90%.
- EPDM gaskets with closed cells, UV-resist. Tx-40 / + 150 ° C
- Integrated passive heatsink in die-cast aluminum alloy
- Internal and external screws in A2 steel
- UV stabilized polyester powder finish with anti-corrosion treatment

KIT.002 Ground connection system to be ordered separately

