

TRIM 2-S

TRIM 2

TRIM 1

TRIM 1

TRIM 2

TRIM 2-S



# TRIM



Always consult [www.augentilighting.it](http://www.augentilighting.it) for  
UPDATED TECHNICAL DATA



# TRIM



## APPLICATION



Street furniture luminaire suitable for lighting streets, parking lots and generic urban areas such as residential areas and neighborhood parks, with the differentiated use of optics dedicated to different requirements. Designed as a complete single or double lighting system with the possibility of installing the second body at different heights for applications on cycle-pedestrian Wayli. Dali dimmable on request with extra charge.

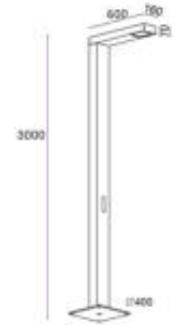
# TRIM

## SPECIFICATIONS

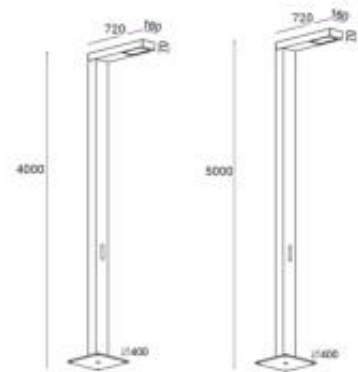


- The rated flux values refer to source LED at Ts85°C / ta25°C
- The Power/Flux in the table refer to maximum installable value
- Lower powers are available on request, only for version with built-in driver
- Dimmable system available on request only with built-in driver
- Pole equipped with inspection door for connection components
- Fixing kit with plug supplied
- **Ground connection system with anchoring brackets to be ordered separately (KIT.002)**

## DIMENSIONS



760F3 - H.3000



760F4 - H.4000

760F5 - H.5000

## STANDARD COLOURS



### LED SYSTEM WITH BUILT-IN DRIVER - 1 Light / Fixing with anchor frame

COD.	Source Flux	Fixture Flux	CCT	CRI	Power	CL	LED
760F3/WP70.XX	4670 lm	3574 lm	3000K	>80	35W - 220-240Vac 50/60Hz	I	16
760F3/NP70.XX	5000 lm	3820 lm	4000K	>80	35W - 220-240Vac 50/60Hz	I	16

Beam  
XX = ST Road  
XX = PP Cycle-Pedestrian  
XX = CP Parking / Large Areas

Asymmetric Emission  
Silk-Screen Clear Glass

Dali dimmable on request  
with extra charge



### LED SYSTEM WITH BUILT-IN DRIVER - 1 Light / Fixing with anchor frame

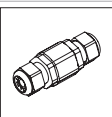
COD.	Source Flux	Fixture Flux	CCT	CRI	Power	CL	LED
760F4/WP70.XX	9340 lm	7145 lm	3000K	>80	70W - 220-240Vac 50/60Hz	I	32
760F4/NP70.XX	10000 lm	7653 lm	4000K	>80	70W - 220-240Vac 50/60Hz	I	32
760F5/WP70.XX	9340 lm	7145 lm	3000K	>80	70W - 220-240Vac 50/60Hz	I	32
760F5/NP70.XX	10000 lm	7653 lm	4000K	>80	70W - 220-240Vac 50/60Hz	I	32

Beam  
XX = ST Road  
XX = PP Cycle-Pedestrian  
XX = CP Parking / Large Areas

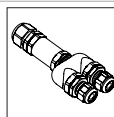
Asymmetric Emission  
Silk-Screen Clear Glass

Dali dimmable on request  
with extra charge

## ACCESSORIES



**MOR683P/2V**  
IP68 2ways/3poles connector.  
Maximum section 3x2.5mm



**MOR68Y3P/3V**  
IP68 3ways/3poles connector Y.  
Maximum section 3x2.5mm

# TRIM

## SPECIFICATIONS



- The rated flux values refer to source LED at Ts85°C / ta25°C
- The Power/Flux in the table refer to maximum installable value
- Lower powers are available on request, only for version with built-in driver
- Dimmable system available on request only with built-in driver
- Pole equipped with inspection door for connection components
- Fixing kit with plug supplied
- **Ground connection system with anchoring brackets to be ordered separately (KIT.002)**



### LED SYSTEM WITH BUILT-IN DRIVER - 2 Light s / Fixing with anchor frame

COD.	Source Flux	Fixture Flux	CCT	CRI	Power	CL	LED
761F3/WP70.XX	9340 lm	7148 lm	3000K	>80	2x35W - 220-240Vac 50/60Hz	I	2x16
761F3/NP70.XX	10000 lm	7640 lm	4000K	>80	2x35W - 220-240Vac 50/60Hz	I	2x16

Beam  
 XX = ST Road  
 XX = PP Cycle-Pedestrian  
 XX = CP Parking / Large Areas

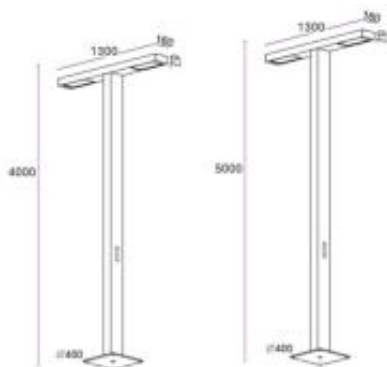
Asymmetric Emission  
 Silk-Screen Clear Glass

Dali dimmable on request  
 with extra charge

## DIMENSIONS



761F3 - H.3000



761F4 - H.4000

761F5 - H.5000



### LED SYSTEM WITH BUILT-IN DRIVER - 2 Light s / Fixing with anchor frame

COD.	Source Flux	Fixture Flux	CCT	CRI	Power	CL	LED
761F4/WP70.XX	18680 lm	14290 lm	3000K	>80	2x70W - 220-240Vac 50/60Hz	I	2x32
761F4/NP70.XX	20000 lm	15300 lm	4000K	>80	2x70W - 220-240Vac 50/60Hz	I	2x32
761F5/WP70.XX	18680 lm	14290 lm	3000K	>80	2x70W - 220-240Vac 50/60Hz	I	2x32
761F5/NP70.XX	20000 lm	15300 lm	4000K	>80	2x70W - 220-240Vac 50/60Hz	I	2x32

Beam  
 XX = ST Road  
 XX = PP Cycle-Pedestrian  
 XX = CP Parking / Large Areas

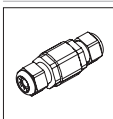
Asymmetric Emission  
 Silk-Screen Clear Glass

Dali dimmable on request  
 with extra charge

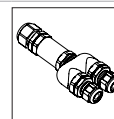
## STANDARD COLOURS



## ACCESSORIES



**MOR683P/2V**  
 IP68 2ways/3poles connector.  
 Maximum section 3x2.5mm



**MOR68Y3P/3V**  
 IP68 3ways/3poles connector Y.  
 Maximum section 3x2.5mm



# TRIM

## SPECIFICATIONS



Installation:  
Ground

- The rated flux values refer to source LED at Ts85°C / ta25°C
- The Power/Flux in the table refer to maximum installable value
- Lower powers are available on request, only for version with built-in driver
- Dimmable system available on request only with built-in driver
- Pole equipped with inspection door for connection components
- Fixing kit with plug supplied
- **Ground connection system with anchoring brackets to be ordered separately (KIT.002)**

## DIMENSIONS

### LED SYSTEM WITH BUILT-IN DRIVER - 2 Lights / Fixing with anchor frame

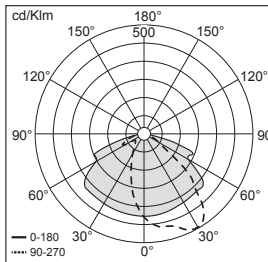
COD.	Source Flux	Fixture Flux	CCT	CRI	Power	CL	LED
762F5/WP70.XX	14000 lm	10719 lm	3000K	>80	70W+35W - 220-240Vac 50/60Hz	I	32+16
762F5/NP70.XX	15000 lm	11473 lm	4000K	>80	70W+35W - 220-240Vac 50/60Hz	I	32+16

Beam  
XX = ST Road  
XX = PP Cycle-Pedestrian  
XX = CP Parking / Large Areas

Asymmetric Emission  
Silk-Screen Clear Glass

Dali dimmable on request  
with extra charge

## PHOTOMETRICS DATA



Dist. (m)	Em (Lux)	E <sub>max</sub> (Lux)
1.0	89	373
2.0	22	93
3.0	10	41
4.0	6	23
5.0	4	15

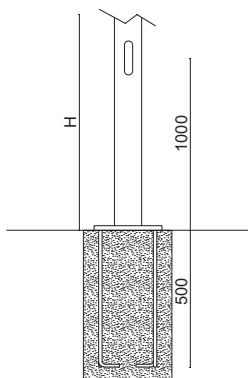
$\alpha$   $\beta$   $I_{max}/2$

### 760F4/NP70ST Street Optic

CCT : 4000K  
Power : 70 W  
System : 7653 lm  
Effic. : 111.6 lm/W  
I<sub>max</sub> : 498.7 cd/Klm  
LOR : 76.6 %  
 $\alpha$  : 30.6m  $\beta$  : 10.9m  
 $\alpha$  : 143.7°  $\beta$  : 79.2°

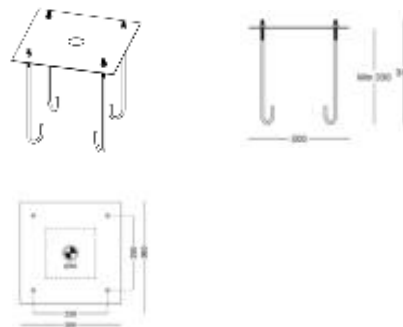


## ASSEMBLY



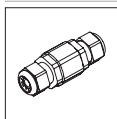
Ground connection system with anchoring brackets to be ordered separately

## KIT.002 Ground connection system to be ordered separately

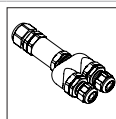


762F5 - H.5000

## ACCESSORIES

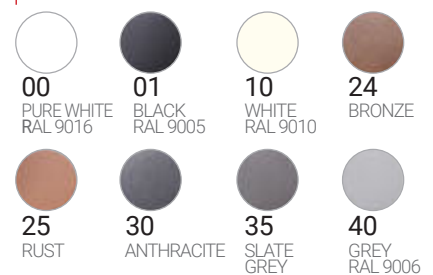


**MOR683P/2V**  
IP68 2ways/3poles connector.  
Maximum section 3x2.5mm



**MOR68Y3P/3V**  
IP68 3ways/3poles connector Y.  
Maximum section 3x2.5mm

## STANDARD COLOURS



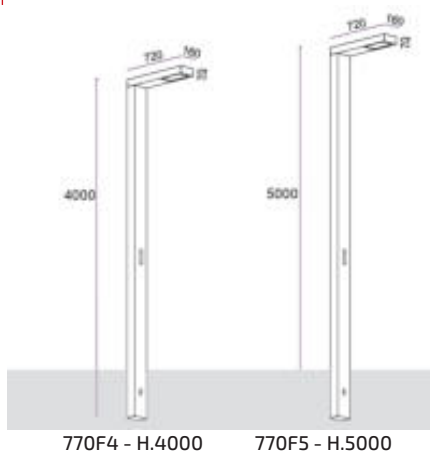
# TRIM

## SPECIFICATIONS



- The rated flux values refer to source LED at Ts85°C / ta25°C
- The Power/Flux in the table refer to maximum installable value
- Lower powers are available on request, only for version with built-in driver
- Dimmable system available on request only with built-in driver
- Pole equipped with inspection door for connection components

## DIMENSIONS



## STANDARD COLOURS



## LED SYSTEM WITH BUILT-IN DRIVER - 1 Light / Underground installation

COD.	Source Flux	Fixture Flux	CCT	CRI	Power	CL	LED
770F4/WP70.XX	9340 lm	7145 lm	3000K	>80	70W - 220-240Vac 50/60Hz	I	32
770F4/NP70.XX	10000 lm	7653 lm	4000K	>80	70W - 220-240Vac 50/60Hz	I	32
770F5/WP70.XX	9340 lm	7145 lm	3000K	>80	70W - 220-240Vac 50/60Hz	I	32
770F5/NP70.XX	10000 lm	7653 lm	4000K	>80	70W - 220-240Vac 50/60Hz	I	32

Beam  
XX = ST Road  
XX = PP Cycle-Pedestrian  
XX = CP Parking / Large Areas

Asymmetric Emission  
Silk-Screen Clear Glass

Dali dimmable on request  
with extra charge



## LED SYSTEM WITH BUILT-IN DRIVER - 2 Lights / Underground installation

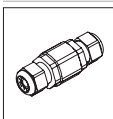
COD.	Source Flux	Fixture Flux	CCT	CRI	Power	CL	LED
771F4/WP70.XX	18680 lm	14290 lm	3000K	>80	2x70W - 220-240Vac 50/60Hz	I	2x32
771F4/NP70.XX	20000 lm	15300 lm	4000K	>80	2x70W - 220-240Vac 50/60Hz	I	2x32
771F5/WP70.XX	18680 lm	14290 lm	3000K	>80	2x70W - 220-240Vac 50/60Hz	I	2x32
771F5/NP70.XX	20000 lm	15300 lm	4000K	>80	2x70W - 220-240Vac 50/60Hz	I	2x32

Beam  
XX = ST Road  
XX = PP Cycle-Pedestrian  
XX = CP Parking / Large Areas

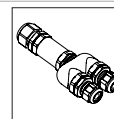
Asymmetric Emission  
Silk-Screen Clear Glass

Dali dimmable on request  
with extra charge

## ACCESSORIES



**MOR683P/2V**  
IP68 2ways/3poles connector.  
Maximum section 3x2.5mm



**MOR68Y3P/3V**  
IP68 3ways/3poles connector Y.  
Maximum section 3x2.5mm



URBAN LIGHTINGS

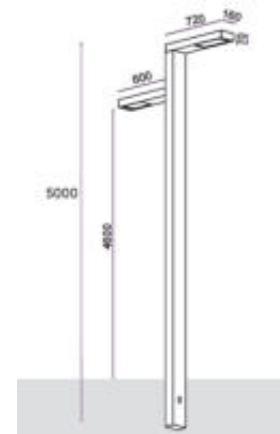
# TRIM

## SPECIFICATIONS



- The rated flux values refer to source LED at Ts85°C / ta25°C
- The Power/Flux in the table refer to maximum installable value
- Lower powers are available on request, only for version with built-in driver
- Dimmable system available on request only with built-in driver
- Pole equipped with inspection door for connection components

## DIMENSIONS




772F5 - H.5000

## LED SYSTEM WITH BUILT-IN DRIVER - 2 Lights / Underground installation

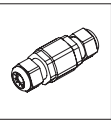
COD.	Source Flux	Fixture Flux	CCT	CRI	Power	CL	LED
772F5/WP70.XX	14000 lm	10719 lm	3000K	>80	70W+35W - 220-240Vac 50/60Hz	I	32+16
772F5/NP70.XX	15000 lm	11473 lm	4000K	>80	70W+35W - 220-240Vac 50/60Hz	I	32+16

 Beam  
XX = ST Road  
XX = PP Cycle-Pedestrian  
XX = CP Parking / Large Areas

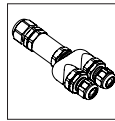
 Asymmetric Emission  
Silk-Screen Clear Glass

 Dali dimmable on request  
with extra charge

## ACCESSORIES

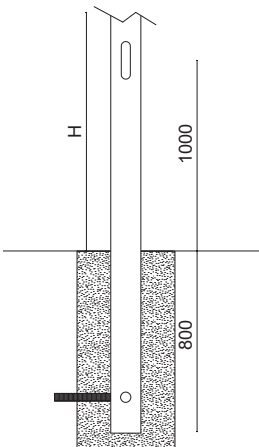


**MOR683P/2V**  
IP68 2ways/3poles connector.  
Maximum section 3x2.5mm



**MOR68Y3P/3V**  
IP68 3ways/3poles connector Y.  
Maximum section 3x2.5mm

## ASSEMBLY



Buried installation - anchor frame + brackets

## CHARACTERISTICS

- System with rectangular pole 100x160mm or cylindrical pole Ø110mm with inspection compartment and removable door.
- Optical compartment / independent driver not accessible and connectable via pre-installed cable type H07RN-F 3x1, removable by screws and sliding movement from the supporting structure.
- Driver and LED maintenance only by removing the optical compartment (at the manufacturer).
- Ground installation by burying the pole with a compartment for underground cables (H> 4m).
- Ground connection system (alternative) with anchoring brackets and pre-welded centering plate.
- Connection to the power supply network through IP68 protected terminal block for cables with max diameter 11mm type H07RN-F 3x1.5 or similar.
- Fixed or dimmable output system via built-in driver. Integrated 10kV SPD protection. Luminaire Conforms to EN60598-1 Standard and special requirements

## MATERIALS

- Pole / Body supporting structure in extrusion aluminum alloy.
- Optical compartment in aluminum alloy for extrusion.
- Ground fixing bracket in AISI 430F steel with anchoring brackets
- Diffuser in extra-clear transparent Float Glass Thickness 4mm silk-screened - LTF> 90%
- Seals in EDPM closed cell rubber, UV-resist. Tx -40 / + 150 ° C.
- Glass gasket in neutral cross-linking silicone glue - Tx-50 / + 250 ° C UV resist.
- Passive heat sink in extrusion aluminum alloy.
- Internal and external screws in A2 Stainless Steel
- M16 IP68 brass cable gland
- Polyester powder coating, UV-stabilized with anti-corrosion treatment.