

VELA



VELA



Always consult [www.augentilighting.it](http://www.augentilighting.it) for  
UPDATED TECHNICAL DATA



# VELA



## APPLICATION



Indirect light street furniture suitable for urban parks, pedestrian areas, car parks. It offers uniform diffused lighting over the entire area without any degree of glare whatever the point of view. Its structure allows to contain the power supply in class II on the pole base, easily removable and serviceable but still protected with vandal-proof screws. The lamp body is totally insulated with a high degree of protection IP65.

## VELA

## SPECIFICATIONS



Installation:  
Ground

- The rated flux values refer to source LED at Ts85°C / ta25°C
- The Power/Flux in the table refer to maximum installable value
- Lower powers are available on request, only for version with built-in driver
- Dimmable system available on request only with built-in driver
- Ground connection system with anchoring brackets to be ordered separately
- Pole equipped with inspection door for connection components
- **Ground fixing system with anchor bolts INCLUDED**



## LED SYSTEM WITH BUILT-IN DRIVER - Complete pole system

COD.	Source Flux	Fixture Flux	CCT	CRI	Power	CL
9000F/WC5.NB	5870 lm	2042 lm	3000K	>80	36W - 220-240Vac 50/60Hz	I
9000F/NC5.NB	6160 lm	2145 lm	4000K	>80	36W - 220-240Vac 50/60Hz	I



Beam  
>100°



Diffuse Emission 360°  
Clear Glass



Dali dimmable on request  
with extra charge



## LED SYSTEM WITH EXTERNAL DRIVER - Single head system

COD.	Source Flux	Fixture Flux	CCT	CRI	Power	CL
9000H/WC5.NB	5870 lm	2042 lm	3000K	>80	36W - 220-240Vac 50/60Hz	I
9000H/NC5.NB	6160 lm	2145 lm	4000K	>80	36W - 220-240Vac 50/60Hz	I



Beam  
>100°

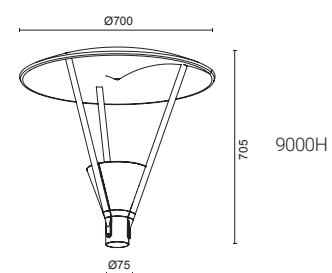
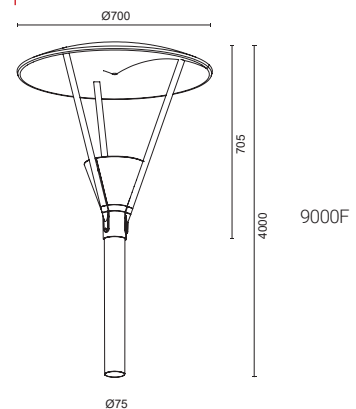


Diffuse Emission 360°  
Clear Glass



Dali dimmable on request  
with extra charge

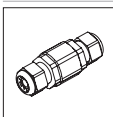
## DIMENSIONS



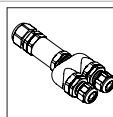
## STANDARD COLOURS



## ACCESSORIES



**MOR683P/2V**  
IP68 2ways/3poles connector.  
Maximum section 3x2.5mm



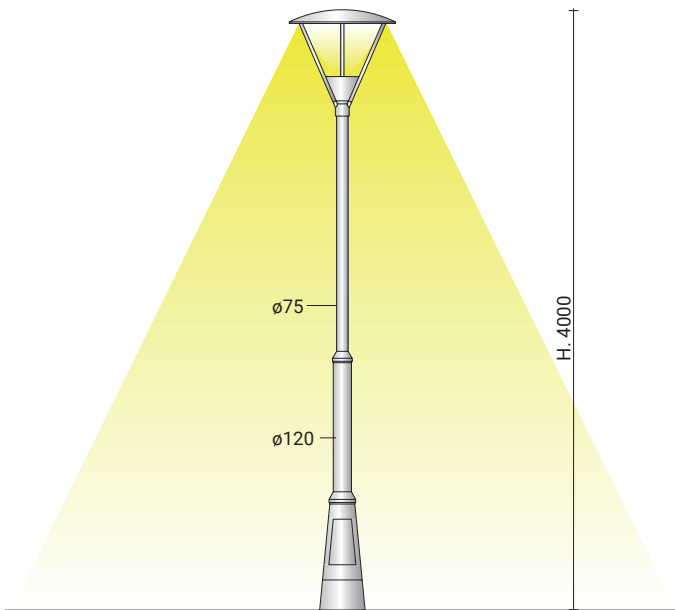
**MOR68Y3P/3V**  
IP68 3ways/3poles connector Y.  
Maximum section 3x2.5mm

# VELA



# VELA

## LIGHT DIFFUSION



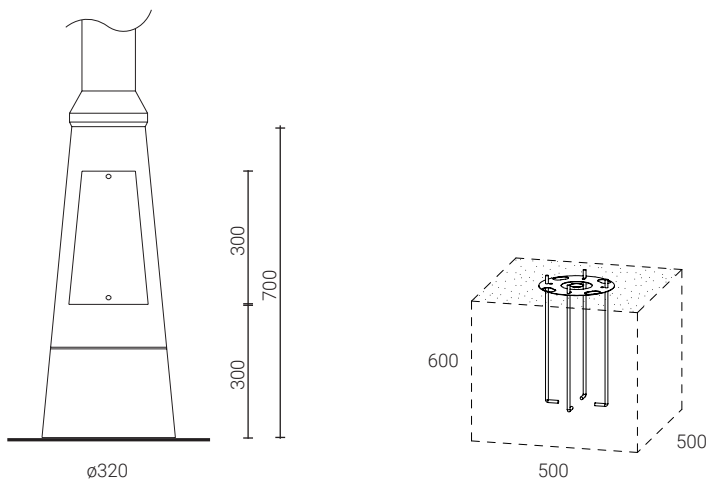
## CHARACTERISTICS

- Pole system with base equipped with inspection door and component compartment
- Optical/Driver section not accessible during installation.
- LED maintenance can be carried out by disassembling the optical compartment.
- Driver maintenance can be carried out by opening the component compartment in the base.
- Fixed or Dali dimmable system for monochromatic LEDs.
- Luminaire Conforms to EN60598-1 Standard and special requirements

## MATERIALS

- Fixture/Base in die-cast aluminum alloy.
- Aluminum alloy pole for extrusion.
- Sail in aluminum sheet.
- Extra-clear Float glass th=12mm - LTF transmission>90%.
- Compact UV resist EPDM gaskets Tx -40/+150°C
- Passive heatsink in aluminum alloy for extrusion.
- Internal and external screws in A2 Stainless Steel
- Polyester powder coating, UV-stabilised with anti-corrosion treatment.

## ASSEMBLY



Ground fixing system with anchor bolts included

