

MATRIX 2800R



MATRIX 2801R



MATRIX 2802R



MATRIX 2803R



MATRIX

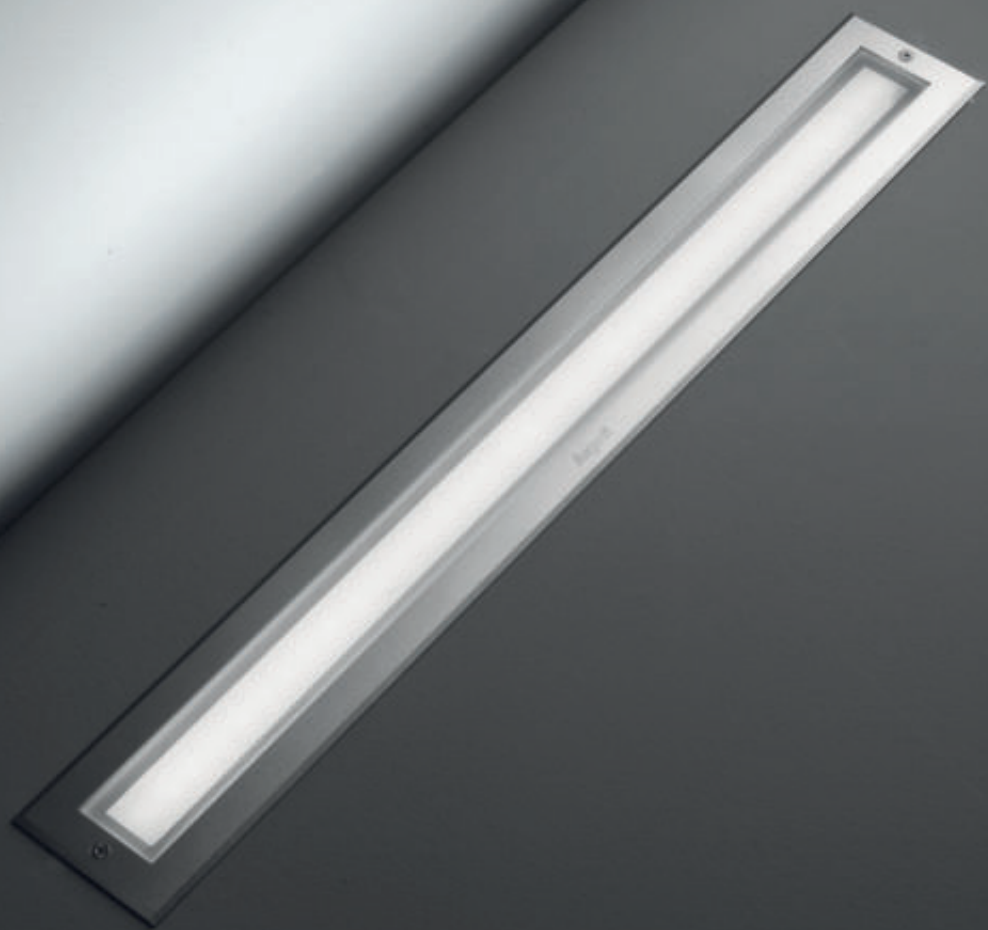
LINKED PRODUCTS



MATRIX FLOODLIGHT
Pag. 140



Always consult www.augentilighting.it
for UPDATED TECHNICAL DATA



GROUND RECESSED

MATRIX

HIGH-POWER LED



LED SMD



APPLICATION



Linear recessed ground luminaire, walkable up to 500Kg. It is equipped with secondary optics for different light distributions, useful for grazing illumination of facades and architectural elements, or with etched glass for diffused distribution combined with glare control which makes it suitable for pedestrian walkways. RGBW also available. Dali dimmable on request with extra charge.

GROUND RECESSED

MATRIX

SPECIFICATIONS



- The rated flux values refer to source LED at Ts85°C / ta25°C
- The Power/Flux in the table refer to maximum installable value
- Lower powers are available on request, only for version with built-in driver
- Dimmable system available on request only with built-in driver
- Supplied with 3x1mm² cable 300mm long
- Supplied with AISI430 stainless steel built-in box
- **Walkable for pedestrian paths. Max load 500Kg**
- **IP68 connector available on request**



LED ARRAY SYSTEM WITH BUILT-IN DRIVER

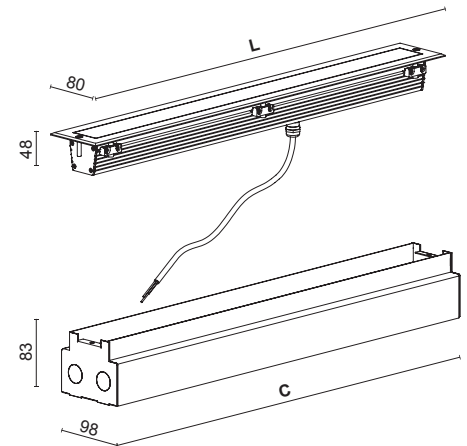
COD.	Source Flux	Fixture Flux	CCT	CRI	Power	CL	LED
2800R/WP50.XX.99	1452 lm	1220 lm	3000 K	80	14W 220-240Vac 50/60Hz	I	8
2800R/NP50.XX.99	1525 lm	1281 lm	4000 K	80	14W 220-240Vac 50/60Hz	I	8
2801R/WP50.XX.99	2905 lm	2440 lm	3000 K	80	26W 220-240Vac 50/60Hz	I	16
2801R/NP50.XX.99	3050 lm	2562 lm	4000 K	80	26W 220-240Vac 50/60Hz	I	16
2802R/WP50.XX.99	4357 lm	3660 lm	3000 K	80	42W 220-240Vac 50/60Hz	I	24
2802R/NP50.XX.99	4575 lm	3843 lm	4000 K	80	42W 220-240Vac 50/60Hz	I	24
2803R/WP50.XX.99	5810 lm	4880 lm	3000 K	80	54W 220-240Vac 50/60Hz	I	32
2803R/NP50.XX.99	6100 lm	5124 lm	4000 K	80	54W 220-240Vac 50/60Hz	I	32

Beam
 XX=NB (Spot 12°)
 XX=MB (Flood 28°)
 XX=WB (Wide Flood 50°)
 XX=OB (Oval 42°+12°)
 XX=AB (Asymmetric)

Direct Emission Uplight
 Silk-Screen Clear Glass

Dali dimmable on request
 with extra charge

DIMENSIONS



CODE	L	C	FORO (LxWxH)
2800R	340mm	328mm	330x100x85mm
2801R	620mm	608mm	610x100x85mm
2802R	900mm	888mm	890x100x85mm
2803R	1180mm	1168mm	1170x100x85mm



LED SYSTEM WITH BUILT-IN DRIVER

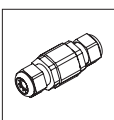
COD.	Source Flux	Fixture Flux	CCT	CRI	Power	CL
2800R/WR50VS.99	870 lm	339 lm	3000	80	8W - 220-240Vac 50/60Hz	I
2800R/NR50VS.99	920 lm	357 lm	4000	80	8W - 220-240Vac 50/60Hz	I
2801R/WR50VS.99	1740 lm	678 lm	3000	80	13W - 220-240Vac 50/60Hz	I
2801R/NR50VS.99	1840 lm	718 lm	4000	80	13W - 220-240Vac 50/60Hz	I
2802R/WR50VS.99	2610 lm	1020 lm	3000	80	19W - 220-240Vac 50/60Hz	I
2802R/NR50VS.99	2760 lm	1076 lm	4000	80	19W - 220-240Vac 50/60Hz	I
2803R/WR50VS.99	3480 lm	1355 lm	3000	80	26W - 220-240Vac 50/60Hz	I
2803R/NR50VS.99	3680 lm	1435 lm	4000	80	26W - 220-240Vac 50/60Hz	I

Beam
 >100°

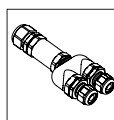
Diffuse Emission Uplight
 Opal Glass

Dali dimmable on request
 with extra charge

ACCESSORIES



MOR683P/2V
 IP68 2ways/3poles connector.
 Maximum section 3x2.5mm



MOR68Y3P/3V
 IP68 3ways/3poles connector Y.
 Maximum section 3x2.5mm

FRAME

99
 STAINLESS STEEL AISI316L

GROUND RECESSED

MATRIX

SPECIFICATIONS

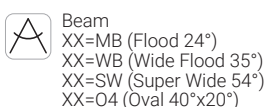


- The rated flux values refer to source LED at Ts85°C / ta25°C
- The data in the table refer to the configuration with all channels on (100%)
- The total power of the system depends on the number and type of devices envisaged. Depending on the project, it may be necessary to use "n" single power supply devices.
- Supplied with AISI430 stainless steel built-in box
- **Walkable for pedestrian paths. Max load 500Kg**
- **IP68 component-holder box available only on request**
- **24V remote driver to be ordered separately**
- **DMX Remote controller included**
- **Connecting cables with plugs must be ordered separately and configured according to the project**

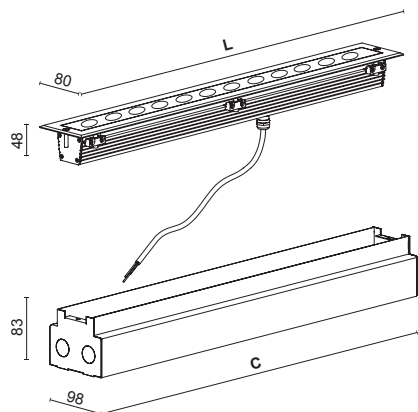


RGBW LED SYSTEM WITH 24Vdc REMOTE DRIVER

COD.	Source Flux	Fixture Flux	CCT-CRI	Power	CL	LED
2800R/RCRC.XX.99	1650 lm	1420 lm	RGBW - WHITE 6500K	12W 24Vdc	III	4
2801R/RCRC.XX.99	3300 lm	2840 lm	RGBW - WHITE 6500K	24W 24Vdc	III	8
2802R/RCRC.XX.99	4950 lm	4260 lm	RGBW - WHITE 6500K	36W 24Vdc	III	12
2803R/RCRC.XX.99	6600 lm	5680 lm	RGBW - WHITE 6500K	48W 24Vdc	III	16



DIMENSIONS



CODE	L	C	FORO (LxWxH)
2800R	340mm	328mm	330x100x85mm
2801R	620mm	608mm	610x100x85mm
2802R	900mm	888mm	890x100x85mm
2803R	1180mm	1168mm	1170x100x85mm

FRAME

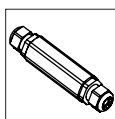


RGBW ALGORITHM SYSTEM

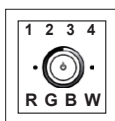
The RGBW system has been completely revised, significantly increasing its efficiency and lumen output of colors. A new DMX control system based on a microchip algorithm has been inserted inside the lamp, capable of obtaining a constant and full power wattage for each single color or in the combination of the color channels.



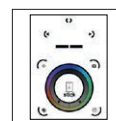
RGBW ACCESSORIES



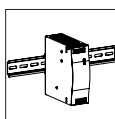
MOR686P/2V
IP68 2ways/6poles connector.
Maximum section 6x2.5mm



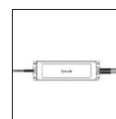
E.CNT.001
Remote control touch keyboard
16 DMX Ch./4 Zones 100-240V



E.CNT.002
Remote control touch keyboard
1024 DMX Ch./10 Zones USB/
Ethernet 100-240V



Remote Driver 24V
E.TRA.570 120W 24Vdc IP20
E.TRA.569 240W 24Vdc IP20
E.TRA.568 480W 24Vdc IP20



E.TRA.592
Remote Driver 240W 24Vdc IP67

MATRIX

PHOTOMETRICS DATA



Dist. (m)	Em Emax (Lux)		2801R/NR50VS Diffuse Beam
	Em	Emax	
1.0	79	318	CCT : 4000K Power : 13W System : 718 lm Effic. : 55.2 lm/W I _{max} : 318 cd/Klm LOR : 39.1 % Ø _α : 1.8m Ø _β : 1.7m α : 122.8° β : 121.2°
2.0	20	79	
3.0	9	35	
4.0	5	20	
5.0	3	13	



Dist. (m)	Em Emax (Lux)		2801R/NP50NB Spot
	Em	Emax	
1.0	19900	28148	CCT : 4000K Power : 26W System : 2571 lm Effic. : 98.9 lm/W I _{max} : 9229 cd/Klm LOR : 84.3 % Ø _α : 1.2m Ø _β : 1.2m α : 12.7° β : 12.7°
2.0	4975	7037	
3.0	2210	3127	
4.0	1243	1759	
5.0	795	1125	



Dist. (m)	Em Emax (Lux)		2801R/NP50MB Flood
	Em	Emax	
1.0	3500	5072	CCT : 4000K Power : 26W System : 2562 lm Effic. : 98.5 lm/W I _{max} : 1663 cd/Klm LOR : 84 % Ø _α : 3.5m Ø _β : 3.5m α : 28.6° β : 28.6°
2.0	875	1268	
3.0	388	563	
4.0	219	317	
5.0	139	202	



Dist. (m)	Em Emax (Lux)		2801R/NP50WB Wide Flood
	Em	Emax	
1.0	2167	3010	CCT : 4000K Power : 26W System : 2565 lm Effic. : 98.3 lm/W I _{max} : 1052 cd/Klm LOR : 83.8 % Ø _α : 4.8m Ø _β : 4.8m α : 50.6° β : 50.6°
2.0	541	752	
3.0	241	334	
4.0	135	188	
5.0	86	120	



Dist. (m)	Em Emax (Lux)		2801R/NP50OB Asymmetric Oval
	Em	Emax	
1.0	7995	12114	CCT : 4000K Power : 26W System : 2565 lm Effic. : 98.7 lm/W I _{max} : 4010 cd/Klm LOR : 84.1 % Ø _α : 1.0m Ø _β : 4.0m α : 11.8° β : 42.4°
2.0	1998	3028	
3.0	888	1346	
4.0	499	757	
5.0	319	484	

CHARACTERISTICS

- Recessed luminaire with outer casing to be buried on a draining gravel bed
- Corrugated inlet up to Ø25mm on the heads (2) and on the bottom.
- Part accessible flush with the floor suitable for pedestrian walkways (500Kg). Not suitable for vehicles.
- Supplied pre-wired with 50cm cable type H05RN-F 3x1mmq and cable gland IP68 (5x1mmq Ver. Dimmable)
- Optical/Driver section not accessible during installation.
- IP67 protected external driver compartment, to be inserted in the outer casing during installation.
- Driver maintenance can be carried out by replacing the resin box.
- Fixed or Dali dimmable output system for monochromatic LEDs on request
- RGBW system for multichip LEDs.
- Luminaire Conforms to EN60598-1 Standard and special requirements

MATERIALS

- Casing in AISI430F stainless steel sheet
- Body: aluminum alloy for extrusion
- Heads: aluminum alloy for die casting.
- Extra-clear float glass th=8mm with serigraphy (trasm. LT>90%) or etched (trasm. LT>40%).
- Glass/Driver gasket in neutral cross-linking silicone glue – Tx -50/+250°C UV resist.
- Passive heat sink in aluminum alloy plate.
- Internal and external screws in A2 Stainless Steel
- M16 IP68 brass cable gland
- Polyester powder coating, UV-stabilised with anti-corrosion treatment.

ASSEMBLY

