

GROUND RECESSED

PLATH0145

SPECIFICATIONS



- The rated flux values refer to source LED at Ts85°C / ta25°C
- The Power/Flux in the table refer to maximum installable value
- Lower powers are available on request, only for version with built-in driver
- Dimmable system available on request only with built-in driver
- The device is supplied with a 300mm long cable (3x1mm²)
- Supplied with Polypropylene Box PP GW750
- **Walkable for pedestrian paths. Max load 1000Kg**
- **IP68 connector available on request**



LED SYSTEM WITH BUILT-IN DRIVER

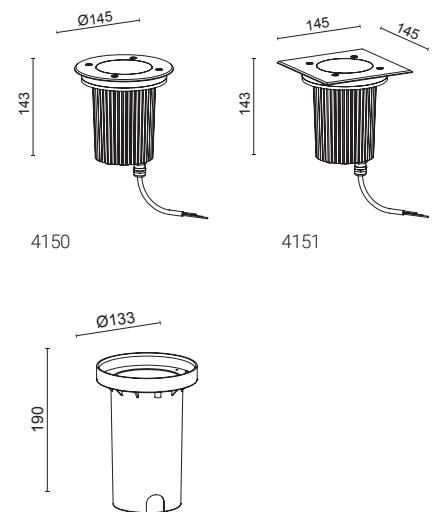
COD.	Source Flux	Fixture Flux	CCT	CRI	Power	CL	LED
4150R/WC0.XX.99	860 lm	720 lm	3000	80	8W - 220-240Vac 50/60Hz	I	1
4150R/NC0.XX.99	890 lm	750 lm	4000	80	8W - 220-240Vac 50/60Hz	I	1
4151R/WC0.XX.99	860 lm	720 lm	3000	80	8W - 220-240Vac 50/60Hz	I	1
4151R/NC0.XX.99	890 lm	750 lm	4000	80	8W - 220-240Vac 50/60Hz	I	1

Beam
XX=NB (Spot 10°)
XX=MB (Flood 26°)
XX=WB (Wide Flood 56°)

Direct Emission Uplight
Silk-Screen Clear Glass

Dali dimmable on request
with extra charge

DIMENSIONS



LED SYSTEM WITH BUILT-IN DRIVER

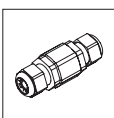
COD.	Source Flux	Fixture Flux	CCT	CRI	Power	CL	LED
4150R/WC0.VO.99	860 lm	175 lm	3000	80	8W - 220-240Vac 50/60Hz	I	1
4150R/NC0.VO.99	890 lm	182 lm	4000	80	8W - 220-240Vac 50/60Hz	I	1
4151R/WC0.VO.99	860 lm	175 lm	3000	80	8W - 220-240Vac 50/60Hz	I	1
4151R/NC0.VO.99	890 lm	182 lm	4000	80	8W - 220-240Vac 50/60Hz	I	1

Beam
>100°

Diffuse Emission Uplight
Opal Glass

Dali dimmable on request
with extra charge

ACCESSORIES



MOR683P/2V
IP68 2ways/3poles connector.
Maximum section 3x2.5mm

FRAME

99
STAINLESS STEEL AISI316L