

GROUND RECESSED

# PLATHO200 LOW

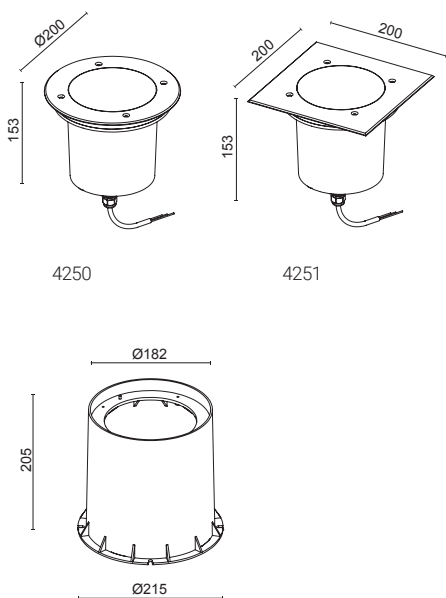
## SPECIFICATIONS



Installation:  
Ground recessed

- The rated flux values refer to source LED at Ts85°C / ta25°C
- The Power/Flux in the table refer to maximum installable value
- Lower powers are available on request, only for version with built-in driver
- Dimmable system available on request only with built-in driver
- The device is supplied with a 300mm long cable (3x1mm<sup>2</sup>)
- Supplied with Polypropylene Box PP GW750
- **Walkable for pedestrian paths. Max load 1000Kg**
- **IP68 connector available on request**

## DIMENSIONS



## LED SYSTEM WITH BUILT-IN DRIVER

COD.	Source Flux	Fixture Flux	CCT	CRI	Power	CL	LED
4250R/WC2.XX.99	2170 lm	1870 lm	3000	80	18W - 220-240Vac 50/60Hz	I	1
4250R/NC2.XX.99	2300 lm	1983 lm	4000	80	18W - 220-240Vac 50/60Hz	I	1
4251R/WC2.XX.99	2170 lm	1870 lm	3000	80	18W - 220-240Vac 50/60Hz	I	1
4251R/NC2.XX.99	2300 lm	1983 lm	4000	80	18W - 220-240Vac 50/60Hz	I	1

Beam  
XX=NB (Spot 14°)  
XX=MB (Flood 32°)  
XX=WB (Wide Flood 44°)

Direct Emission Uplight  
Silk-Screen Clear Glass

Dali dimmable on request  
with extra charge



## LED ARRAY SYSTEM WITH BUILT-IN DRIVER

COD.	Source Flux	Fixture Flux	CCT	CRI	Power	CL	LED
4250R/WR50XX.99	1690 lm	1216 lm	3000	80	14W - 220-240Vac 50/60Hz	I	4
4250R/NR50XX.99	1780 lm	1280 lm	4000	80	14W - 220-240Vac 50/60Hz	I	4
4251R/WR50XX.99	1690 lm	1216 lm	3000	80	14W - 220-240Vac 50/60Hz	I	4
4251R/NR50XX.99	1780 lm	1280 lm	4000	80	14W - 220-240Vac 50/60Hz	I	4

Beam  
XX=NB (Flood 20°)  
XX=MB (Flood 32°)  
XX=WB (Wide Flood 50°)

Direct Emission Uplight  
Silk-Screen Clear Glass

Dali dimmable on request  
with extra charge



## LED ARRAY SYSTEM WITH BUILT-IN DRIVER - Asymmetric

COD.	Source Flux	Fixture Flux	CCT	CRI	Power	CL	LED
4250R/WR50AB.99	1680 lm	805 lm	3000	80	14W - 220-240Vac 50/60Hz	I	4
4250R/NR50AB.99	1750 lm	854 lm	4000	80	14W - 220-240Vac 50/60Hz	I	4
4251R/WR50AB.99	1680 lm	805 lm	3000	80	14W - 220-240Vac 50/60Hz	I	4
4251R/NR50AB.99	1750 lm	854 lm	4000	80	14W - 220-240Vac 50/60Hz	I	4

Beam  
Asymmetric

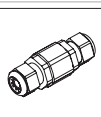
Asymmetric Emission Uplight  
Silk-Screen Clear Glass

Dali dimmable on request  
with extra charge

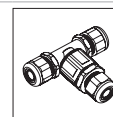
## FRAME

99  
STAINLESS STEEL AISI316L

## ACCESSORIES



**MOR683P/2V**  
IP68 2ways/3poles connector.  
Maximum section 3x2.5mm



**MOR683P/3V**  
IP68 3ways/3poles branch  
connector. Maximum section  
3x2.5mm



GROUND RECESSED

# PLATHO200 LOW

REVIEW

## RGBW LED ARRAY SYSTEM WITH REMOTE DRIVER 24Vdc

REVIEW

COD.	Source Flux	Fixture Flux	CCT-CRI	Power	CL	LED
4250R/RCRCXX.99	1650 lm	1420 lm	RGBW - WHITE 6500K	12W 24Vdc	III	4
4251R/RCRCXX.99	1650 lm	1420 lm	RGBW - WHITE 6500K	12W 24Vdc	III	4

**A** Beam  
 XX=NB (Spot 10°)  
 XX=MB (Flood 25°)  
 XX=WB (Wide Flood 30°)  
 XX=SW (Super Wide 60°)

**!** Direct Emission Uplight  
 Silk-Screen Clear Glass

## RGBW ALGORITHM SYSTEM

The RGBW system has been completely revised, significantly increasing its efficiency and lumen output of colors. A new DMX control system based on a microchip algorithm has been inserted inside the lamp, capable of obtaining a constant and full power wattage for each single color or in the combination of the color channels.



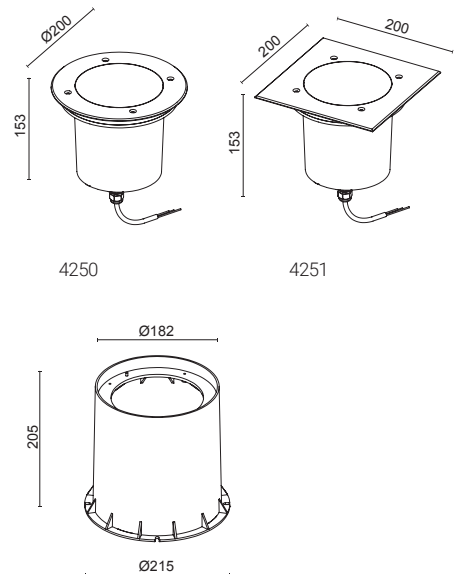
DIGITAL ALGORITHM BROCHURE



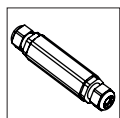
Installation:  
 Ground recessed

- The rated flux values refer to source LED at Ts85°C / ta25°C
- The data in the table refer to the configuration with all channels on (100%)
- The total power of the system depends on the number and type of devices envisaged. Depending on the project, it may be necessary to use "n" single power supply devices.
- Walkable for pedestrian paths. Max load 1000Kg**
- IP68 component-holder box available only on request**
- 24V remote driver to be ordered separately**
- DMX Remote controller included**
- Connecting cables with plugs must be ordered separately and configured according to the project**

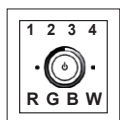
## DIMENSIONS



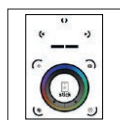
## RGBW ACCESSORIES



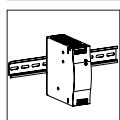
**MOR686P/2V**  
 IP68 2ways/6poles connector.  
 Maximum section 6x2.5mm



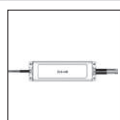
**E.CNT.001**  
 Remote control touch keyboard  
 16 DMX Ch./4 Zones 100-240V



**E.CNT.002**  
 Remote control touch keyboard  
 1024 DMX Ch./10 Zones USB/  
 Ethernet 100-240V



Remote Driver 24V  
**E.TRA.570** 120W 24Vdc IP20  
**E.TRA.569** 240W 24Vdc IP20  
**E.TRA.568** 480W 24Vdc IP20



**E.TRA.592**  
 Remote Driver 240W 24Vdc IP67

## FRAME

**99**  
 STAINLESS STEEL AISI316L

GROUND RECESSED

# PLATHO200 HIGHT

## SPECIFICATIONS

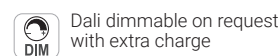
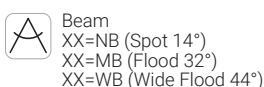


- The rated flux values refer to source LED at Ts85°C / ta25°C
- The Power/Flux in the table refer to maximum installable value
- Lower powers are available on request, only for version with built-in driver
- Dimmable system available on request only with built-in driver
- The device is supplied with a 300mm long cable (3x1mm<sup>2</sup>)
- Supplied with Polypropylene Box PP GW750
- **Walkable for pedestrian paths. Max load 1000Kg**
- **IP68 connector available on request**

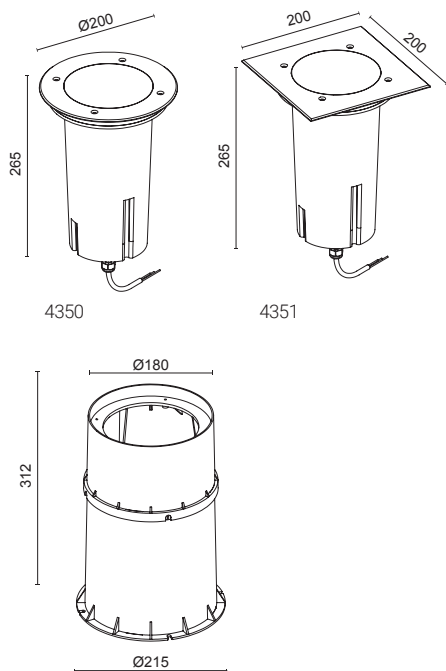


## LED SYSTEM WITH BUILT-IN DRIVER

COD.	Source Flux	Fixture Flux	CCT	CRI	Power	CL	LED
4350R/WC2.XX.99	3050 lm	2400 lm	3000	80	25W - 220-240Vac 50/60Hz	I	1
4350R/NC2.XX.99	3200 lm	2520 lm	4000	80	25W - 220-240Vac 50/60Hz	I	1
4351R/WC2.XX.99	3050 lm	2400 lm	3000	80	25W - 220-240Vac 50/60Hz	I	1
4351R/NC2.XX.99	3200 lm	2520 lm	4000	80	25W - 220-240Vac 50/60Hz	I	1

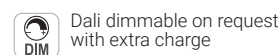
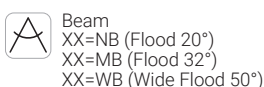


## DIMENSIONS



## LED ARRAY SYSTEM WITH BUILT-IN DRIVER

COD.	Source Flux	Fixture Flux	CCT	CRI	Power	CL	LED
4350R/WR50XX.99	2130 lm	1531 lm	3000	80	18W - 220-240Vac 50/60Hz	I	4
4350R/NR50XX.99	2270 lm	1632 lm	4000	80	18W - 220-240Vac 50/60Hz	I	4
4351R/WR50XX.99	2130 lm	1531 lm	3000	80	18W - 220-240Vac 50/60Hz	I	4
4351R/NR50XX.99	2270 lm	1632 lm	4000	80	18W - 220-240Vac 50/60Hz	I	4

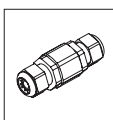


## FRAME

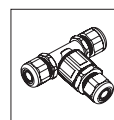


99  
STAINLESS STEEL AISI316L

## ACCESSORIES



**MOR683P/2V**  
IP68 2ways/3poles connector.  
Maximum section 3x2.5mm



**MOR683P/3V**  
IP68 3ways/3poles branch  
connector. Maximum section  
3x2.5mm



GROUND RECESSED

# PLATHO200 HIGHT

## SPECIFICATIONS



Installation:  
Ground recessed

### LED ARRAY SYSTEM WITH BUILT-IN DRIVER - Asymmetric

COD.	Source Flux	Fixture Flux	CCT	CRI	Power	CL	LED
4350R/WR50AB.99	2167 lm	1046 lm	3000	80	18W - 220-240Vac 50/60Hz	I	4
4350R/NR50AB.99	2275 lm	1114 lm	4000	80	18W - 220-240Vac 50/60Hz	I	4
4351R/WR50AB.99	2167 lm	1046 lm	3000	80	18W - 220-240Vac 50/60Hz	I	4
4351R/NR50AB.99	2275 lm	1114 lm	4000	80	18W - 220-240Vac 50/60Hz	I	4

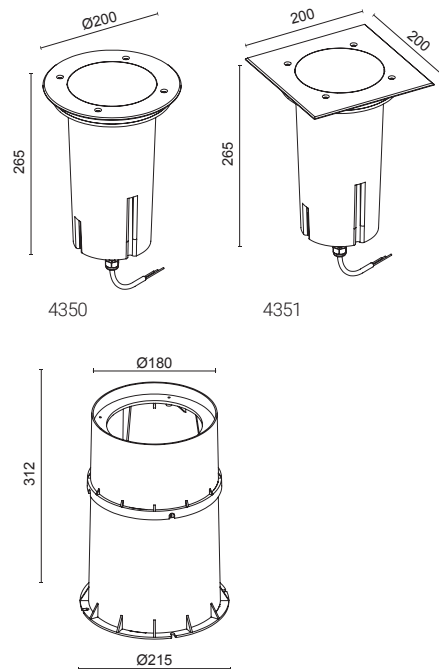
Beam Asymmetric

Direct Emission Uplight  
Silk-Screen Clear Glass

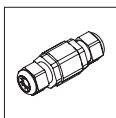
Dali dimmable on request  
with extra charge

- The rated flux values refer to source LED at Ts85°C / ta25°C
- The Power/Flux in the table refer to maximum installable value
- Lower powers are available on request, only for version with built-in driver
- Dimmable system available on request only with built-in driver
- The device is supplied with a 300mm long cable (3x1 mm<sup>2</sup>)
- Supplied with Polypropylene Box PP GW750
- **Walkable for pedestrian paths. Max load 1000Kg**
- **IP68 connector available on request**

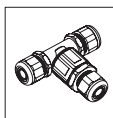
## DIMENSIONS



## ACCESSORIES



**MOR683P/2V**  
IP68 2ways/3poles connector.  
Maximum section 3x2.5mm



**MOR683P/3V**  
IP68 3ways/3poles branch  
connector. Maximum section  
3x2.5mm

## FRAME



**99**  
STAINLESS STEEL AISI316L