

SQUARE



SQUARE



SQUARE



SQUARE



SQUARE

LINKED PRODUCTS



SQUARE WALL RECESSED
Pag. 218



Always consult www.augentilighting.it for
UPDATED TECHNICAL DATA



SQUARE



APPLICATION



Ground bollard featuring high quality construction features. Square is a solid and resistant product designed and created to ensure lighting solutions for the outdoor environment, especially in residential areas characterized by green areas and gardens. Mechanically constructed in such a way that the light is directed in a specific way, Square presents itself as a versatile and complete product that can therefore be adapted at will.

SMALL POLES

SQUARE

SPECIFICATIONS

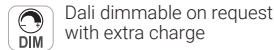


- The rated flux values refer to source LED at Ts85°C / ta25°C
- The Power/Flux in the table refer to maximum installable value
- Lower powers are available on request, only for version with built-in driver
- Dimmable system available on request only with built-in driver
- **Ground connection system with anchoring brackets to be ordered separately (KIT.019)**

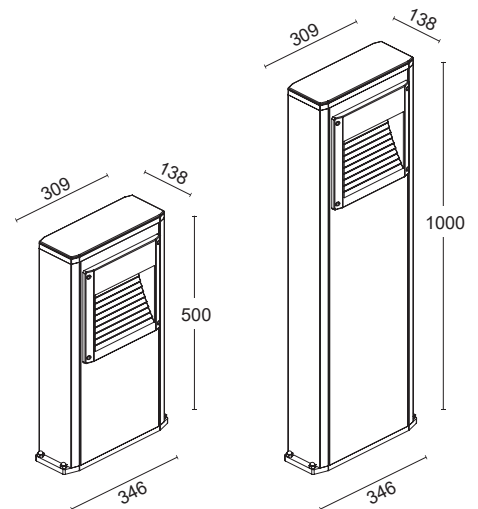


LED SYSTEM WITH BUILT-IN DRIVER

COD.	Source Flux	Fixture Flux	CCT	CRI	Power	CL
290F0/WR3.PR	1920 lm	510 lm	3000 K	80	15W - 220-240Vac 50/60Hz	I
290F0/NR3.PR	2020 lm	535 lm	4000 K	80	15W - 220-240Vac 50/60Hz	I

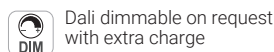
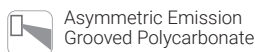


DIMENSIONS



LED SYSTEM WITH BUILT-IN DRIVER

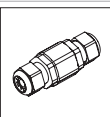
COD.	Source Flux	Fixture Flux	CCT	CRI	Power	CL
290F1/WR3.PR	1920 lm	510 lm	3000 K	80	15W - 220-240Vac 50/60Hz	I
290F1/NR3.PR	2020 lm	535 lm	4000 K	80	15W - 220-240Vac 50/60Hz	I



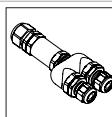
STANDARD COLOURS



ACCESSORIES



MOR683P/2V
IP68 2ways/3poles connector.
Maximum section 3x2.5mm



MOR68Y3P/3V
IP68 3ways/3poles connector Y.
Maximum section 3x2.5mm

SQUARE

SPECIFICATIONS

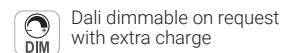
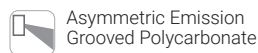


- The rated flux values refer to source LED at Ts85°C / ta25°C
- The Power/Flux in the table refer to maximum installable value
- **Ground connection system with anchoring brackets to be ordered separately (KIT.019)**

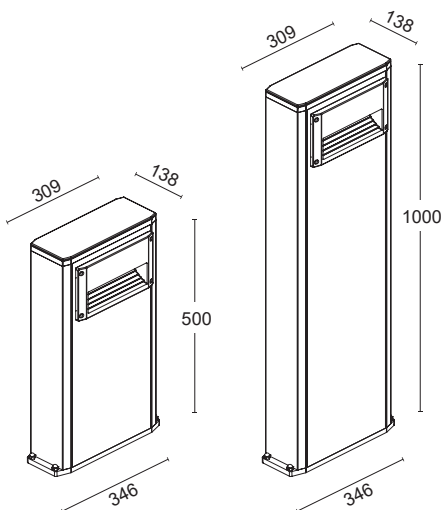


LED SYSTEM WITH BUILT-IN DRIVER

COD.	Source Flux	Fixture Flux	CCT	CRI	Power	CL
295F0/WR3.PR	1920 lm	510 lm	3000 K	80	15W - 220-240Vac 50/60Hz	I
295F0/NR3.PR	2020 lm	535 lm	4000 K	80	15W - 220-240Vac 50/60Hz	I

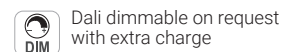
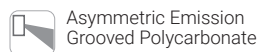


DIMENSIONS



LED SYSTEM WITH BUILT-IN DRIVER

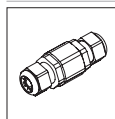
COD.	Source Flux	Fixture Flux	CCT	CRI	Power	CL
295F1/WR3.PR	1920 lm	510 lm	3000 K	80	15W - 220-240Vac 50/60Hz	I
295F1/NR3.PR	2020 lm	535 lm	4000 K	80	15W - 220-240Vac 50/60Hz	I



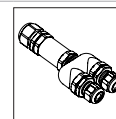
STANDARD COLOURS



ACCESSORIES



MOR683P/2V
IP68 2ways/3poles connector.
Maximum section 3x2.5mm



MOR68Y3P/3V
IP68 3ways/3poles connector Y.
Maximum section 3x2.5mm

SQUARE

CHARACTERISTICS

- Post recessed luminaire with asymmetrical light
- Optical system housing accessible during installation.
- Power cable entry with internal 3-way terminal block for non-pass-through wiring.
- Power cable allowed up to 1.5mm² three-pole with external sheath max. 11mm.
- LED maintenance can be carried out by removing the screws of the optical compartment.
- Luminaire Conforms to EN60598-1 Standard and special requirements

MATERIALS

- Fixture/Base in die-cast aluminum alloy.
- Pole: Aluminum alloy for extrusion.
- Diffuser in Polycarbonate (PC) Prismatic transparent UV stab.GWT850
- Molded gaskets in UV resist. Tx -40/+180°C.
- Integrated passive heatsink in Alloy Aluminum sheet.
- Internal and external screws in A2 Stainless Steel
- IP65 Megol resin cable gland UV-Resist. GWT850°C
- Polyester powder coating, UV-stabilised with anti-corrosion treatment.





Installation: Masseria Corsano (LE) Italy