

LUNOS MAXI

LUNOS MAXI



APPLICATION



Adjustable fixture, suitable for wall, ceiling or floor installation as a stand-alone projector or with spike support. Equipped with secondary optics for different light distributions, and a wide choice of ACCESSORIES useful for controlling the flow and visual comfort. Available with monochromatic LED version in fixed output. Versions on request with extra charge: dimmable Dali, RGBW for DMX-RDM.

CHARACTERISTICS

- Adjustable luminaire on two vertical/horizontal planes with screw tightening and graduated ring nut.
- Optical/Driver section not accessible during installation.
- LED maintenance can be carried out by removing the optical compartment (3 screws).
- Driver maintenance from the special compartment separate from the optical unit.
- Fixed or Dali dimmable system for monochromatics LEDs.
- Luminaire Conforms to EN60598-1 Standard and special requirements

MATERIALS

- Body in die casting aluminium alloy.
- Float Glass extra-clear s=6mm with serigraphy - trasmissione LT>90%.
- Seals in EDPM closed cell rubber, UV- resist. Tx -40/+150°C.
- Integrated passive heatsink in extrusion aluminium alloy.
- Internal and external screws in A2 Stainless Steel
- Polyester powder coating, UV-stabilised with anti-corrosion treatment.

LUNOS MAXI

SPECIFICATIONS



Installation:
Wall/Ceiling/Ground

- The rated flux values refer to source LED at Ts85°C / ta25°C
- The Power/Flux in the table refer to maximum installable value
- Lower powers are available on request, only for version with built-in driver
- Dimmable system available on request only with built-in driver



LED SYSTEM WITH BUILT-IN DRIVER

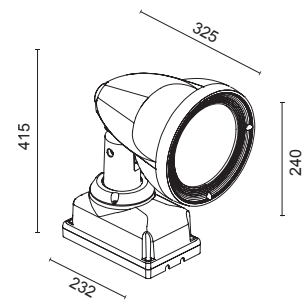
COD.	Source Flux	Fixture Flux	CCT	CRI	Power	CL
9710W/WC50XX	5500 lm	4230 lm	3000 K	80	58W 220-240Vac 50/60Hz	I
9710W/NC50XX	5700 lm	4400 lm	4000 K	80	58W 220-240Vac 50/60Hz	I

Beam
XX=NB (Spot 10°)
XX=MB (Flood 38°)
XX=WB (Wide Flood 56°)

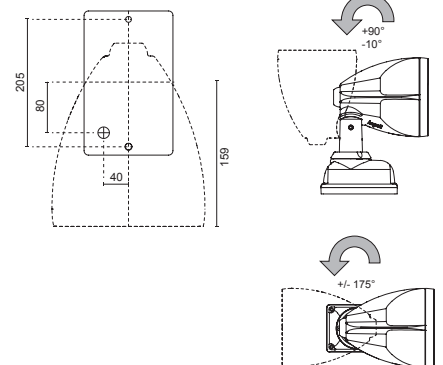
Adjustable Direct Emission
Silk-Screen Clear Glass

Dali dimmable on request
with extra charge

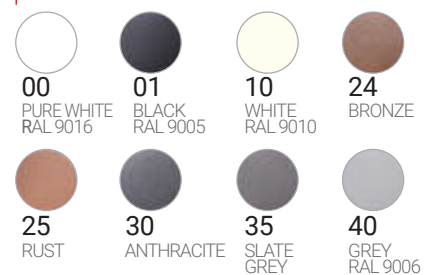
DIMENSIONS



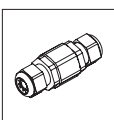
ASSEMBLY



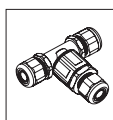
STANDARD COLOURS



ACCESSORIES



MOR683P/2V
IP68 2ways/3poles connector.
Maximum section 3x2.5mm



MOR683P/3V
IP68 3ways/3poles branch
connector. Maximum section
3x2.5mm