

LUNOS MINI



APPLICATION

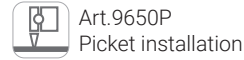


Adjustable fixture, suitable for wall, ceiling or floor installation as a stand-alone projector or with spike support. Equipped with secondary optics for different light distributions, and a wide choice of ACCESSORIES useful for controlling the flow and visual comfort. Available with monochromatic LED version in fixed output. Versions on request with extra charge: dimmable Dali, RGBW for DMX-RDM.

FLOODLIGHTS

LUNOS MINI

SPECIFICATIONS



- The rated flux values refer to source LED at Ts85°C / ta25°C
- The Power/Flux in the table refer to maximum installable value
- Lower powers are available on request, only for version with built-in driver
- Dimmable system available on request only with built-in driver
- 9650P supplied with plastic stake PA6
- 9650P Supplied with 3x1mm² cable 300mm long
- **IP68 connector available on request**



LED SYSTEM WITH BUILT-IN DRIVER

COD.	Source Flux	Fixture Flux	CCT	CRI	Power	CL
9650W/WC0.XX	1590 lm	1110 lm	3000 K	80	15W 220-240Vac 50/60Hz	I
9650W/NC0.XX	1650 lm	1170 lm	4000 K	80	15W 220-240Vac 50/60Hz	I
9650P/WC0.XX	1590 lm	1110 lm	3000 K	80	15W 220-240Vac 50/60Hz	I
9650P/NC0.XX	1650 lm	1170 lm	4000 K	80	15W 220-240Vac 50/60Hz	I

Beam
XX=NB (Spot 10°)
XX=MB (Flood 26°)
XX=WB (Wide Flood 56°)

Adjustable Direct Emission
Silk-Screen Clear Glass

Dali dimmable on request
with extra charge



LED DIRECT AC SYSTEM

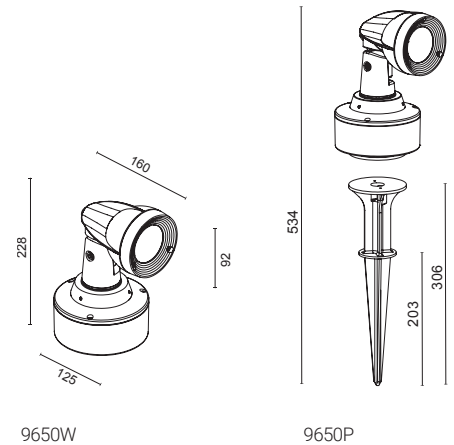
COD.	Source Flux	Fixture Flux	CCT	CRI	Power	CL
9650W/WCA.XX	680 lm	476 lm	3000 K	80	7W 220-240Vac 50/60Hz	I
9650W/NCA.XX	700 lm	490 lm	4000 K	80	7W 220-240Vac 50/60Hz	I
9650P/WCA.XX	680 lm	476 lm	3000 K	80	7W 220-240Vac 50/60Hz	I
9650P/NCA.XX	700 lm	490 lm	4000 K	80	7W 220-240Vac 50/60Hz	I

Beam
XX=NB (Spot 20°)
XX=WB (Wide Flood 40°)

Adjustable Direct Emission
Silk-Screen Clear Glass

Not dimmable

DIMENSIONS



ACCESSORIES

AC9650
Anti-glare visor in AISI430F steel, polyester powder coated
Screws included

AB9650
Arm for wall/ceiling extension (other sizes on request) in AISI430F steel polyester powder coated
Screws and connectors included

MOR683P/2V
IP68 2ways/3poles connector.
Maximum section 3x2.5mm

MOR683P/3V
IP68 3ways/3poles branch connector. Maximum section 3x2.5mm

STANDARD COLOURS



LUNOS MINI

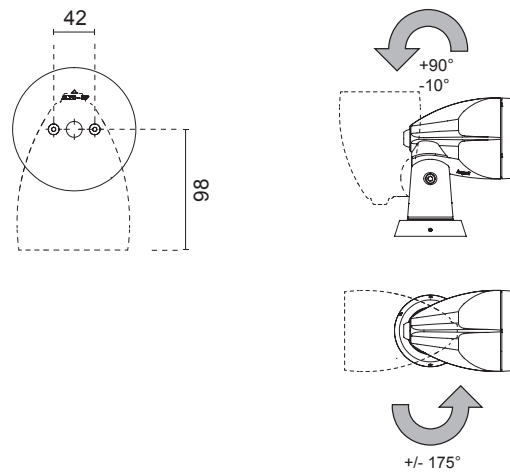
CHARACTERISTICS

- Adjustable luminaire on two vertical/horizontal planes with screw tightening and graduated ring nut.
- Optical/Driver section not accessible during installation.
- LED maintenance can be carried out by removing the optical compartment (3 screws).
- Driver maintenance from the special compartment separate from the optical unit.
- Fixed or Dali dimmable system for monochromatic LEDs.
- RGBW system for multichip LEDs with remote driver.
- Version with COB LED with direct power supply in AC 230V.
- Luminaire Conforms to EN60598-1 Standard and special requirements

MATERIALS

- Body in die casting aluminium alloy.
- Extra Clear Tempered Glass 4mm with silk-screen printing. - trasmissione LT>90%.
- Seals in EDPM closed cell rubber, UV- resist. Tx -40/+150°C.
- Integrated passive heatsink in extrusion aluminium alloy.
- Internal and external screws in A2 Stainless Steel
- Polyester powder coating, UV-stabilised with anti-corrosion treatment.

ASSEMBLY



PHOTOMETRICS DATA



	Dist. (m)	Em (Lux)	E _{max} (Lux)	9650W/NC0.NB Narrow Beam CCT : 4000K Power : 15W System : 1163 lm Effic. : 77.6 lm/W I _{max} : 10554 cd/Klm LOR : 70.5 % Ø _α : 1.1m Ø _β : 1.1m α : 12.8° β : 12.8°
	1	8707	17414	
	2	2176	4353	
	3	967	1934	
	4	544	1088	
	5	348	696	



	Dist. (m)	Em (Lux)	E _{max} (Lux)	9650W/NC0.MB Medium Beam CCT : 4000K Power : 15W System : 1163 lm Effic. : 77.6 lm/W I _{max} : 3658 cd/Klm LOR : 70.5 % Ø _α : 2.3m Ø _β : 2.3m α : 25.4° β : 25.4°
	1	2836	6036	
	2	709	1509	
	3	315	670	
	4	177	377	
	5	113	241	



	Dist. (m)	Em (Lux)	E _{max} (Lux)	9650W/NC0.WB Wide Beam CCT : 4000K Power : 15W System : 1062 lm Effic. : 70.8 lm/W I _{max} : 864 cd/Klm LOR : 64.4 % Ø _α : 5.5m Ø _β : 5.5m α : 58° β : 58°
	1	490	1400	
	2	122	350	
	3	54	155	
	4	30	87	
	5	20	56	



	Dist. (m)	Em (Lux)	E _{max} (Lux)	9650W/NCA.NB Narrow Beam CCT : 4000K Power : 7W System : 491 lm Effic. : 70.1 lm/W I _{max} : 3369 cd/Klm LOR : 70.2 % Ø _α : 1.5m Ø _β : 1.5m α : 17° β : 17°
	1	1179	2358	
	2	295	589	
	3	131	262	
	4	74	147	
	5	47	94	



	Dist. (m)	Em (Lux)	E _{max} (Lux)	9650W/NCA.WB Wide Beam CCT : 4000K Power : 7W System : 491 lm Effic. : 70.1 lm/W I _{max} : 1488 cd/Klm LOR : 70.2 % Ø _α : 3.5m Ø _β : 3.3m α : 38° β : 37.4°
	1	490	1042	
	2	122	260	
	3	54	115	
	4	31	65	
	5	20	42	