

FLOODLIGHTS

# LUNOS

# LUNOS



## APPLICATION

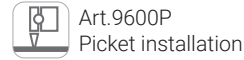


Adjustable fixture, suitable for wall, ceiling or floor installation as a stand-alone projector or with spike support. Equipped with secondary optics for different light distributions, and a wide choice of ACCESSORIES useful for controlling the flow and visual comfort. Available with monochromatic LED version in fixed output. Versions on request with extra charge: dimmable Dali, RGBW for DMX-RDM.

FLOODLIGHTS

# LUNOS

SPECIFICATIONS



- The rated flux values refer to source LED at Ts85°C / ta25°C
- The Power/Flux in the table refer to maximum installable value
- Lower powers are available on request, only for version with built-in driver
- Dimmable system available on request only with built-in driver
- 9600P supplied with plastic stake PA6
- 9600P Supplied with 3x1mm<sup>2</sup> cable 300mm long
- **IP68 connector available on request**



LED SYSTEM WITH BUILT-IN DRIVER

COD.	Source Flux	Fixture Flux	CCT	CRI	Power	CL
9600W/WC3.XX	3190 lm	2650 lm	3000 K	80	27W 220-240Vac 50/60Hz	I
9600W/NC3.XX	3340 lm	2780 lm	4000 K	80	27W 220-240Vac 50/60Hz	I
9600P/WC3.XX	3190 lm	2650 lm	3000 K	80	27W 220-240Vac 50/60Hz	I
9600P/NC3.XX	3340 lm	2780 lm	4000 K	80	27W 220-240Vac 50/60Hz	I

Beam  
 XX=NB (Spot 14°)  
 XX=MB (Flood 24°)  
 XX=WB (Wide Flood 45°)

Adjustable Direct Emission  
 Silk-Screen Clear Glass

Dali dimmable on request  
 with extra charge



LED ARRAY SYSTEM WITH BUILT-IN DRIVER

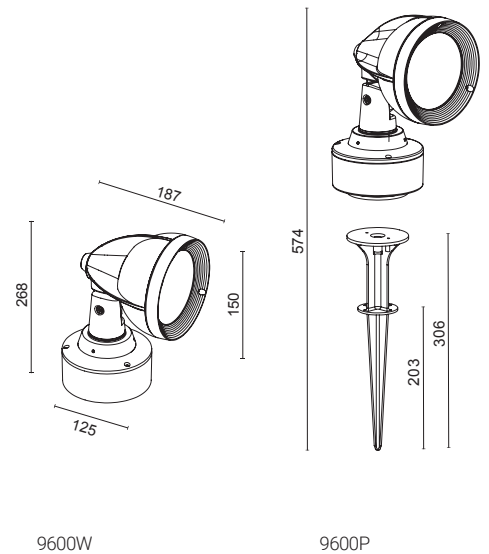
COD.	Source Flux	Fixture Flux	CCT	CRI	Power	CL
9600W/WP4.XX	2130 lm	1527 lm	3000 K	80	18W 220-240Vac 50/60Hz	I
9600W/NP4.XX	2270 lm	1632 lm	4000 K	80	18W 220-240Vac 50/60Hz	I
9600P/WP4.XX	2130 lm	1527 lm	3000 K	80	18W 220-240Vac 50/60Hz	I
9600P/NP4.XX	2270 lm	1632 lm	4000 K	80	18W 220-240Vac 50/60Hz	I

Beam  
 XX=NB (Spot 20°)  
 XX=MB (Flood 32°)  
 XX=WB (Wide Flood 50°)

Adjustable Direct Emission  
 Silk-Screen Clear Glass

Dali dimmable on request  
 with extra charge

DIMENSIONS



ACCESSORIES

**AB9600**  
 Arm for wall/ceiling extension (other sizes on request) in AISI430F steel polyester powder coated  
 Screws and connectors included

**MOR683P/2V**  
 IP68 2ways/3poles connector.  
 Maximum section 3x2.5mm

**MOR683P/3V**  
 IP68 3ways/3poles branch connector. Maximum section 3x2.5mm

STANDARD COLOURS



FLOODLIGHTS

# LUNOS

SPECIFICATIONS



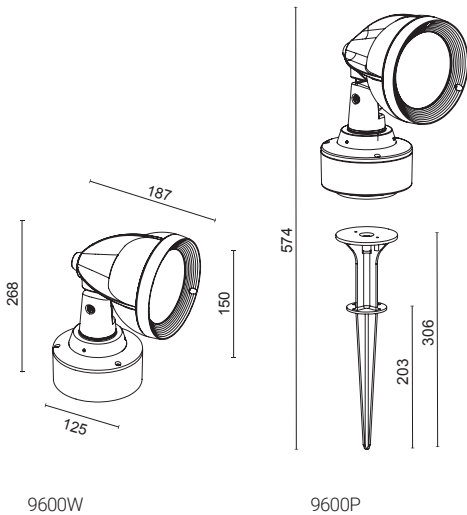
Art.9650W Installation:  
Wall/Ceiling/Ground



Art.9650P  
Picket installation

- The rated flux values refer to source LED at Ts85°C / ta25°C
- The Power/Flux in the table refer to maximum installable value
- The data in the table refer to the configuration with all channels on (100%)
- The total power of the system depends on the number and type of devices envisaged. Depending on the project, it may be necessary to use "n" single power supply devices.
- **IP68 component-holder box available only on request**
- **24V remote driver to be ordered separately**
- **DMX Remote controller included**
- **Connecting cables with plugs must be ordered separately and configured according to the project**

DIMENSIONS



RGBW LED SYSTEM WITH 24Vdc REMOTE DRIVER

REVIEW

COD.	Source Flux	Fixture Flux	CCT-CRI	Power	CL	LED
9600W/RGB.XX	1650 lm	1420 lm	RGBW - WHITE 6500K	12W 24Vdc	III	4
9600P/RGB.XX	1650 lm	1420 lm	RGBW - WHITE 6500K	12W 24Vdc	III	4



Beam  
XX=NB (Spot 10°)  
XX=MB (Flood 20°)  
XX=WB (Wide Flood 30°)  
XX=SW (Super Wide 60°)



Adjustable Direct Emission  
Silk-Screen Clear Glass

RGBW ALGORITHM SYSTEM

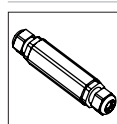
The RGBW system has been completely revised, significantly increasing its efficiency and lumen output of colors. A new DMX control system based on a microchip algorithm has been inserted inside the lamp, capable of obtaining a constant and full power wattage for each single color or in the combination of the color channels.



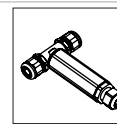
STANDARD COLOURS



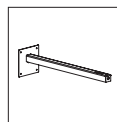
RGBW ACCESSORIES



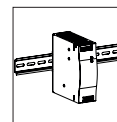
**MOR686P/2V**  
IP68 2ways/6poles connector.  
Maximum section 6x2.5mm



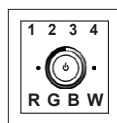
**MOR686P/3V**  
IP68 3ways/6poles branch connector. Maximum section 6x2.5mm



**AB9600**  
Arm for wall/ceiling extension (other sizes on request) in AISI430F steel polyester powder coated  
Screws and connectors included



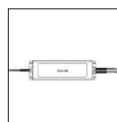
Remote Driver 24V  
**E.TRA.570** 120W 24Vdc IP20  
**E.TRA.569** 240W 24Vdc IP20  
**E.TRA.568** 480W 24Vdc IP20



**E.CNT.001**  
Remote control touch keyboard  
16 DMX Ch./4 Zones 100-240V



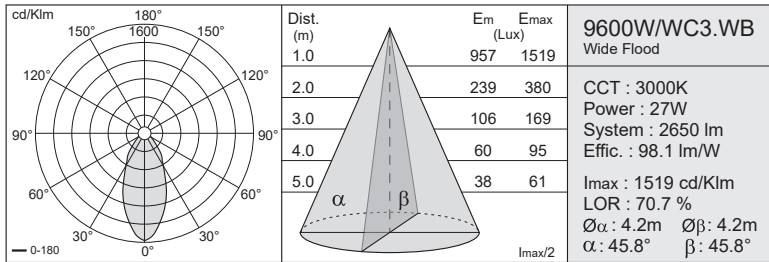
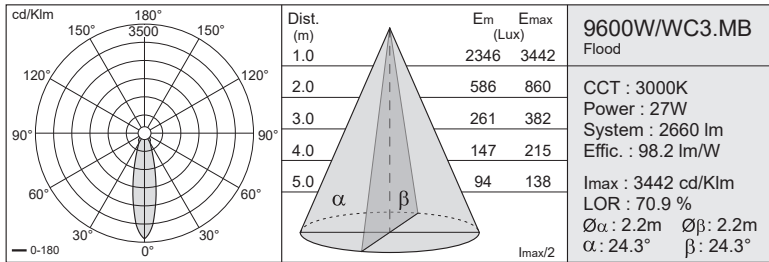
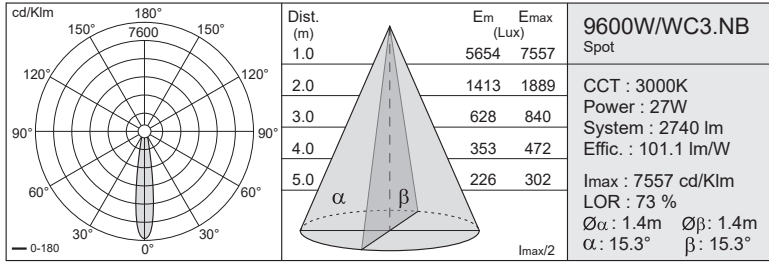
**E.CNT.002**  
Remote control touch keyboard  
1024 DMX Ch./10 Zones USB/  
Ethernet 100-240V



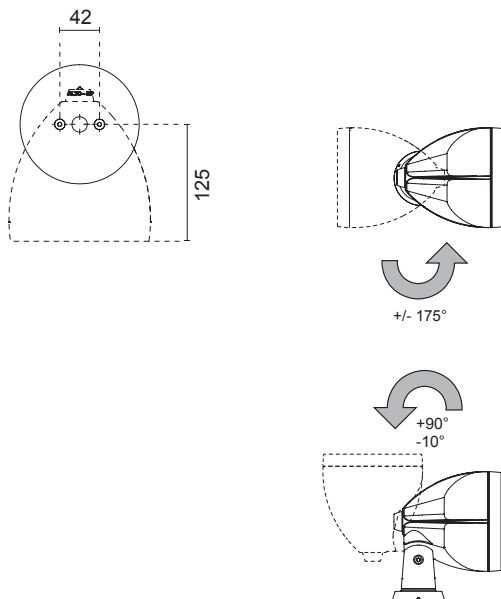
**E.TRA.592**  
Remote Driver 240W 24Vdc IP67

# LUNOS

## PHOTOMETRICS DATA



## ASSEMBLY



## CHARACTERISTICS

- Adjustable luminaire on two vertical/horizontal planes with screw tightening and graduated ring nut.
- Optical/Driver section not accessible during installation.
- LED maintenance can be carried out by removing the optical compartment (3 screws).
- Driver maintenance from the special compartment separate from the optical unit.
- Fixed or Dali dimmable system for monochromatic LEDs.
- RGBW system for multichip LEDs with remote driver.
- Luminaire Conforms to EN60598-1 Standard and special requirements

## MATERIALS

- Body in die casting aluminium alloy.
- Extra Clear Tempered Glass 4mm with silk-screen printing. - trasmissione LT>90%.
- Seals in EDPM closed cell rubber, UV- resist. Tx -40/+150°C.
- Integrated passive heat sink made of aluminium alloy
- Internal and external screws in A2 Stainless Steel
- Polyester powder coating, UV-stabilised with anti-corrosion treatment.